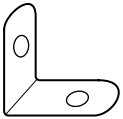


INSTRUCTIONS FOR USING YOUR Gallery Hardware

HARDWARE



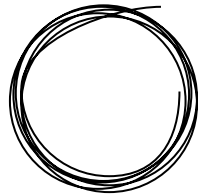
8 - L BRACKETS



2 - GALLERY HANGERS



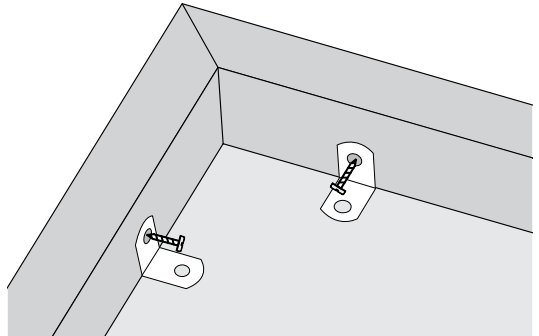
20 - SCREWS



1 - HANGING WIRE

Note: Don't let things get all scratchy! Place your frame face down on a smooth, flat surface when assembling.

1. Remove the protective film from both sides of your Acrylic. With the Frame face down, insert Glazing, Artwork & Backing. If framing a Canvas, insert Stretched Canvas art only.
2. Place L Brackets on top of Artwork, a few inches away from Frame corners. Use a Phillips head screwdriver to secure L Brackets into Frame, use one Screw per L Bracket. Do not place Screws into the hole over your Artwork. Repeat process on all 4 sides.



3. Place the Gallery Hangers a third of the way from the top of the Frame and secure using two Screws.
4. Thread the Hanging Wire through each Gallery Hanger, knot, and twist remaining wire tail to secure.
5. Hang your masterpiece and enjoy!

